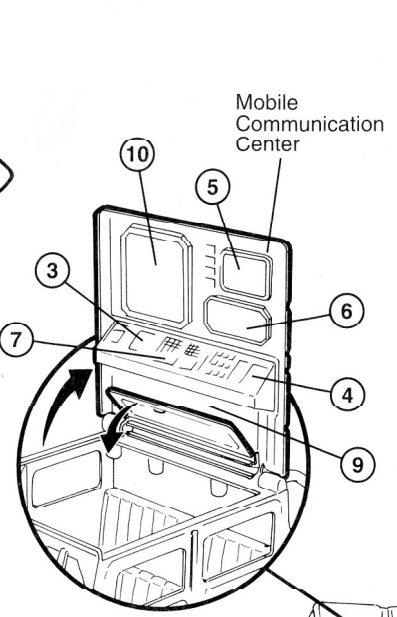


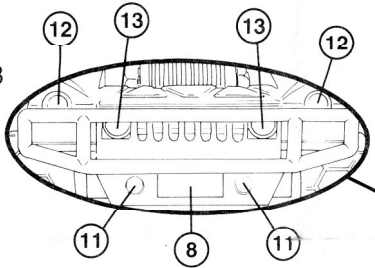


**⚠ WARNING:**  
**CHOKING HAZARD-**Toy contains a small ball and small parts.  
 Not for Children under 3 years.

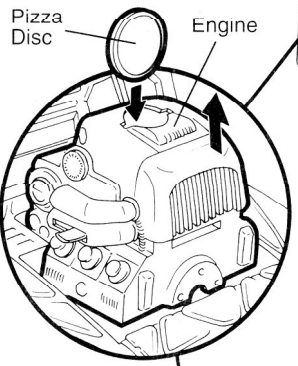
1) Flip top to reveal Mobile Communication Center. (see diagram 1)



Place labels 1-13 as shown.



2) To load pizza discs, insert discs vertically into slot on top of the engine one at a time. (see diagram 2) If the pizza discs do not fall flat inside the engine, press the discs down with your finger through the hole on top of the engine.



3) To fire Pizza press button on the right side of engine. (see diagram 3)

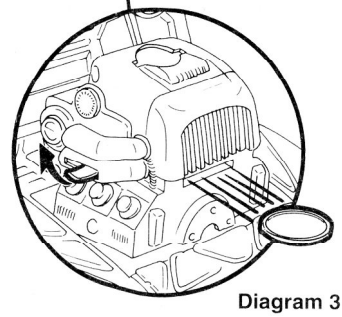


Diagram 3

Steering Wheel

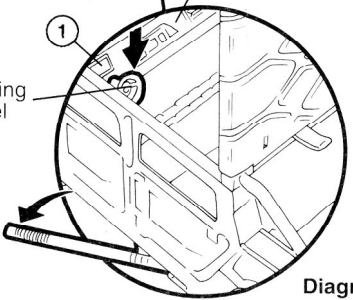


Diagram 4

4) Press down steering wheel to release side mounted switch Bo's. To put away Bo's, push Bo's back into sides until they "click". (see diagram 4)

Cannon Launcher

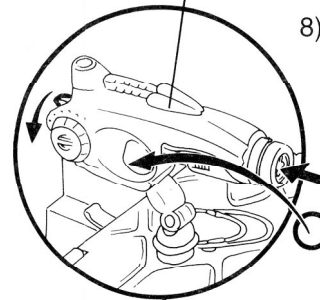


Diagram 8

8) To load Bola Cannon, place missile in launcher until it clicks. Rest the cannon ball in the side cannon pocket. Press button on back of Cannon Launcher to fire. (see diagram 8)

Missile

Press button on back of Cannon Launcher to fire. (see diagram 8)

7) You can secure your Thunder Board by hanging the front wheels on hooks provided. (see diagram 7)

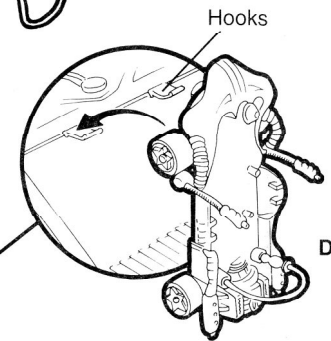


Diagram 7

6) To use working wind-up winch, unclip grappler from winch-bar and pull out. To retract, use thumbwheel to wind back up. (see diagram 6)

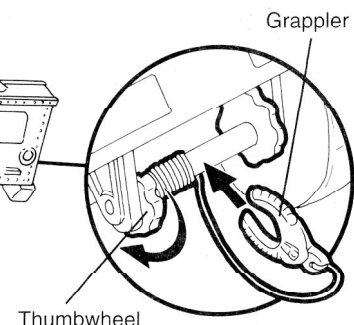


Diagram 6

5) To access back ramp, slide out ramp until it stops. To put away, slide back in. (see diagram 5)

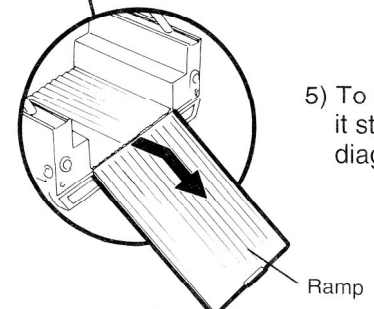


Diagram 5

Ramp

©1997 Playmates Toys Inc. Distributed by Playmates Toys Inc. 611 Anton Blvd., Suite 600, Costa Mesa, CA 92626. Exclusively licensed by Surge Licensing. Printed in China.

STOCK NO. 33125  
 AGES 4 AND UP  
**Playmates**®