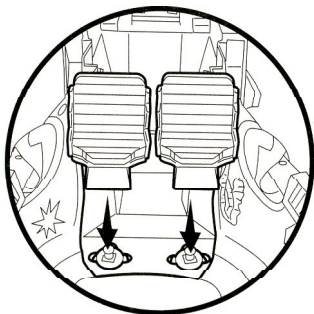




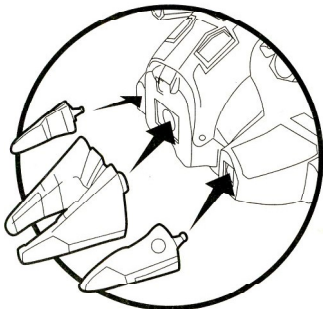
TURTLE SPACE CRUISER

INSTRUCTIONS:

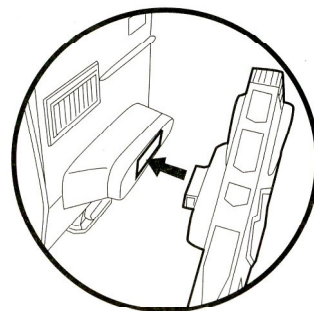
How to assemble the Turtle Space Crusier



1. Place one chair on each peg inside the cockpit of the cruiser. Press lightly until chair snaps into place.



2. Attach the three nose pieces to the front of the ship, making sure that each piece lightly snaps in and does not remove easily.

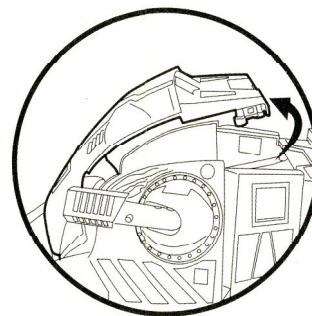


3. Clip thrusters into their designated slots on either side. Each thruster should have the pointed end facing towards the front.

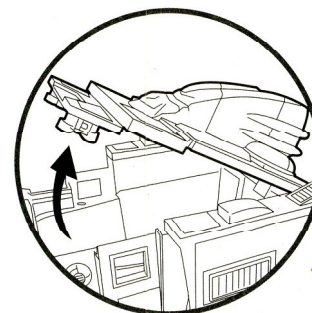


4. Open the back panel on the roof, and with one hand supporting underneath, snap dorsal rudder into place.

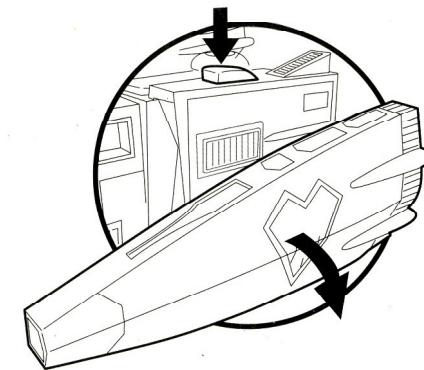
How to play with the Turtle Space Crusier



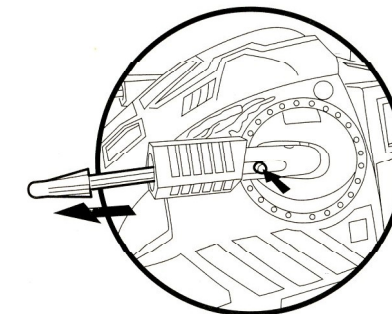
5. Open cockpit panel to load your favorite TMNT! (Turtle Space Cruiser can hold 4 figures).



6. The back panel of the roof can also be opened to load your figures. Look inside cruiser, towards the back, for a trap door that can be accessed from inside the ship!



7. Near the back end there is a large button on top. Push button down to blast thrusters off to recreate damage!



8. Aim the missile launchers and fire using the small button located on the outside of the shooters.

⚠ WARNING: CHOKING HAZARD
Small parts. Not for Children under 3 years.

Age 4 and up

Playmates® ASST NO. 53195
STOCK NO. 54561

Do not use projectiles other than those provided by the toy.

Teenage Mutant Ninja Turtles® © 2004 Mirage Studios, Inc. Teenage Mutant Ninja Turtles®, Leonardo®, Michelangelo®, Donatello®, Raphael®, Splinter®, Shredder®, and April O'Neil® are registered trademarks of Mirage Studios, Inc. All Rights Reserved. PRINTED IN CHINA.