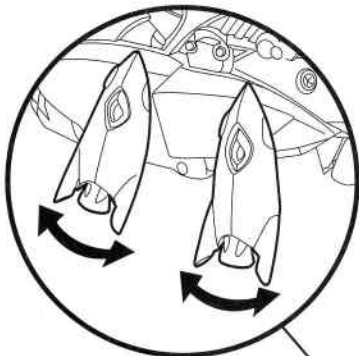
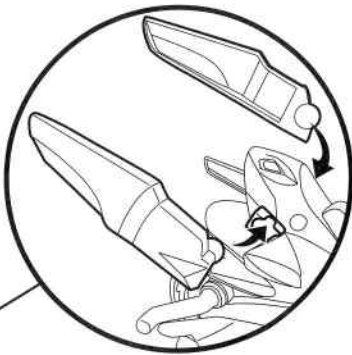




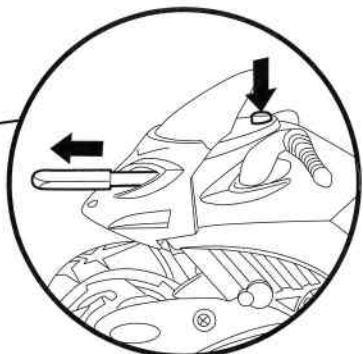
# BAD BOY MOTO-PSYCHO INSTRUCTIONS:



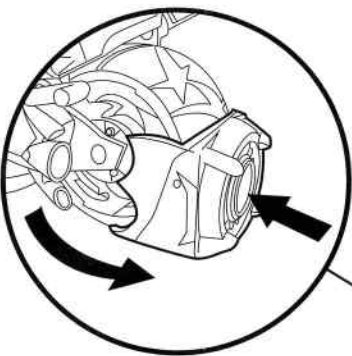
2. On Moto-Psycho's side, rotate hover thrusters downward to begin "flight-mode" transformation.



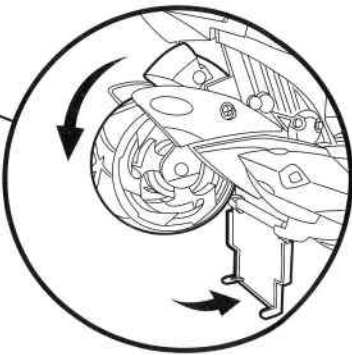
1. Attach rear fins to bike by inserting rounded pegs (on fin) into appropriate grooves above back tire.



3. Load missiles into headlight slots for a psycho sneak attack! Push camouflaged gas-cap button to fire missiles at will.



5. To transform back tire into a jet turbine, turn the turbine (located on the innermost portion of the tire) to the outermost position and slide mechanism back into the Moto-Psycho.



4. To transform the front tire into a jet turbine, unsnap latch on bottom of bike. Push tire down and inward (towards bike's inside) and watch turbine rotate outward. Once the tire is secured inside, raise latch and snap back into place.

