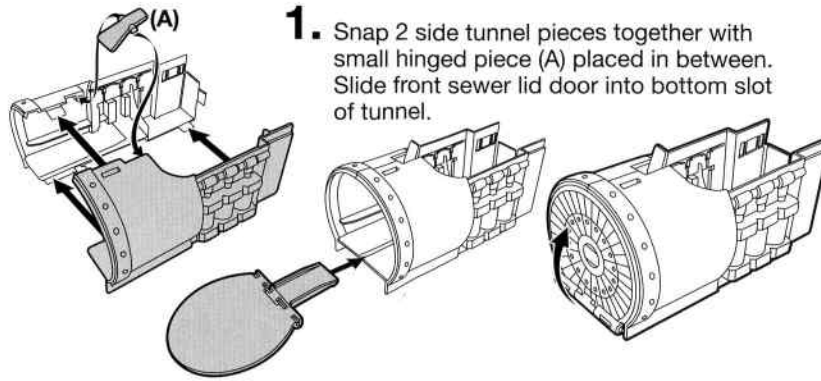
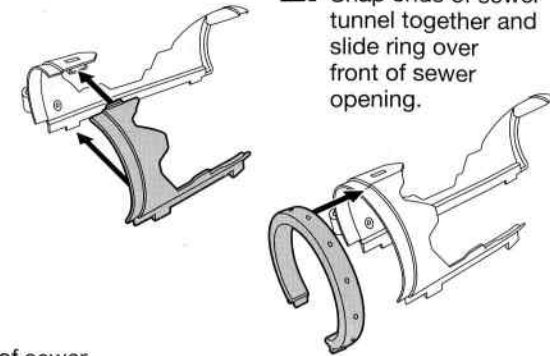


TEENAGE MUTANT NINJA TURTLES™

T-SPRINTS SEWER DUEL PLAYSET

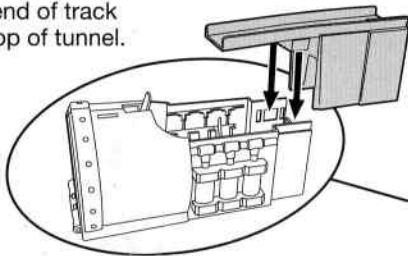


1. Snap 2 side tunnel pieces together with small hinged piece (A) placed in between. Slide front sewer lid door into bottom slot of tunnel.



2. Snap ends of sewer tunnel together and slide ring over front of sewer opening.

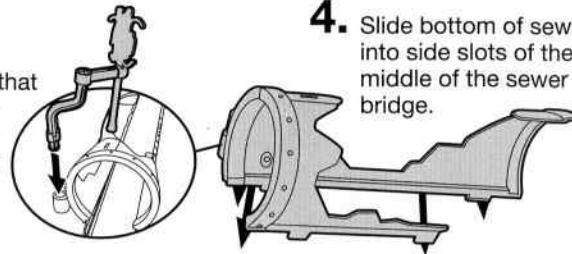
3. Slide end of track onto top of tunnel.



CAUTION:

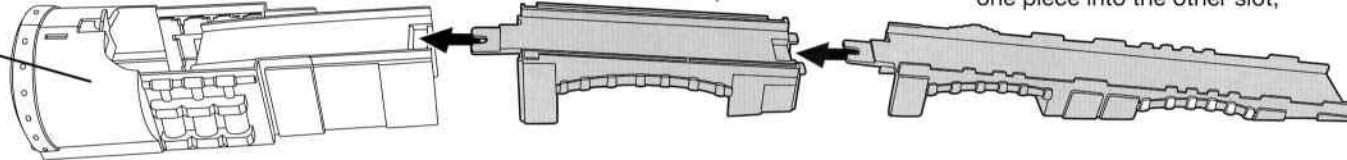
To prevent entanglement, keep hair away from wheels.

Insert handle that holds mutant shredder into side of sewer.

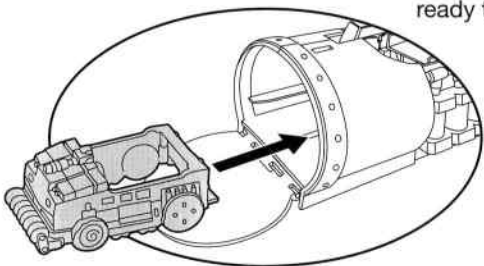


4. Slide bottom of sewer into side slots of the middle of the sewer bridge.

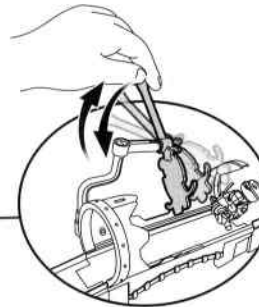
5. Attach the bridge pieces by sliding one piece into the other slot,



Insert Leo's vehicle into the sewer and close the lid, now you're ready to escape!

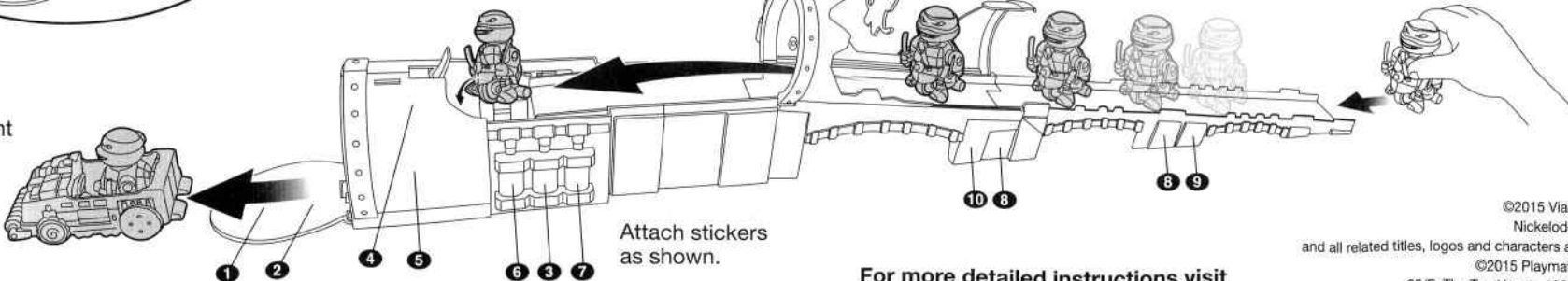


Spin Mutant Shredder to begin!
(Note: you do not need to spin Mutant Shredder to play)



WARNING:
CHOKING HAZARD- Small parts.
Not for Children under 3 years.

Rev the Leo figure in a "forward revving motion" and place on the bridge to watch him sprint forward!



The object is to sprint past Mutant Shredder as he spins, and help Leo drop in to his vehicle and escape the Sewer Duel!

Attach stickers as shown.

For more detailed instructions visit
www.Playmatestoys.com

Ages 4 and up
Asst. #97980
Item #97981

