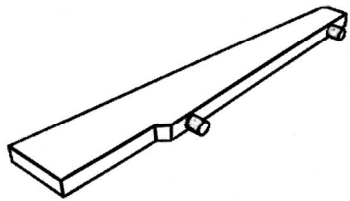
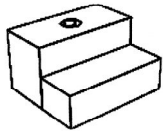


NECA DIORAMA PARTS LIST



A x 5 PCS.
CEILING BRACKET



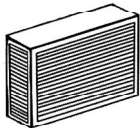
B x 6 PCS.
CARDBOARD CONNECTION PIECES



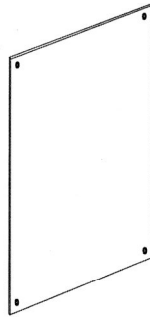
C x 6 PCS.
ASSEMBLY PLUGS



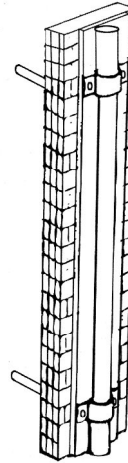
D x 40 PCS.
BRICKS



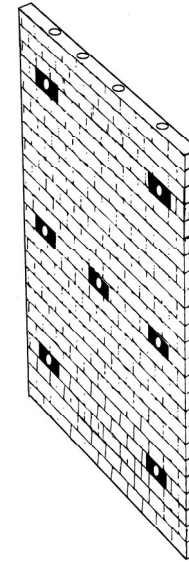
E x 1 PC.
AIR-CONDITIONER UNIT



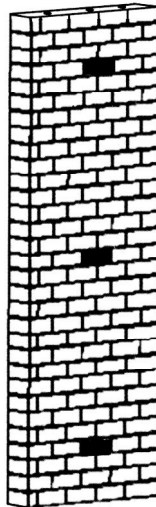
F x 6 PCS.
WINDOW PANE



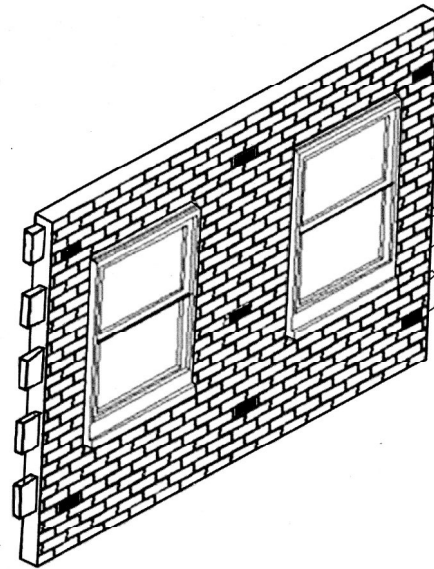
G x 2 PCS.
CENTER PIECES



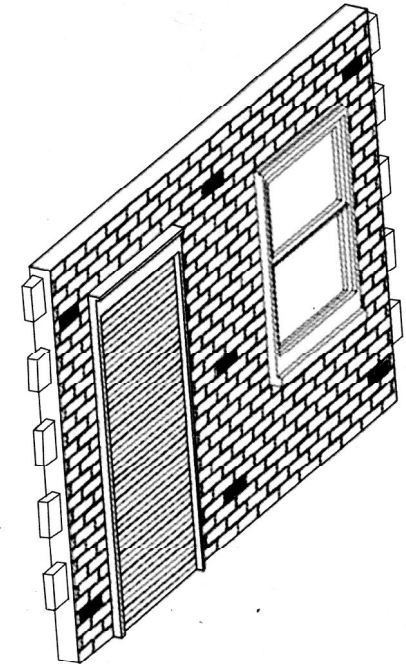
S1 x 2 PCS.
SIDE WALLS LEVEL 1



S2 x 2 PCS.
SIDE WALLS LEVEL 2

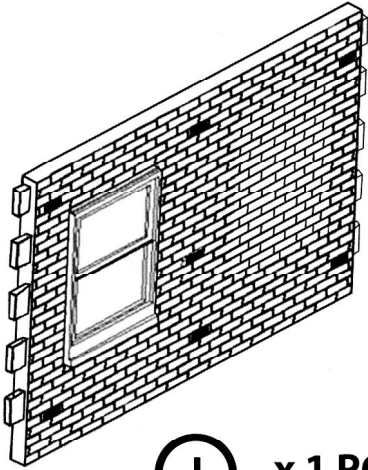


H x 2 PCS.
LEVEL 1 AND 2 WALL

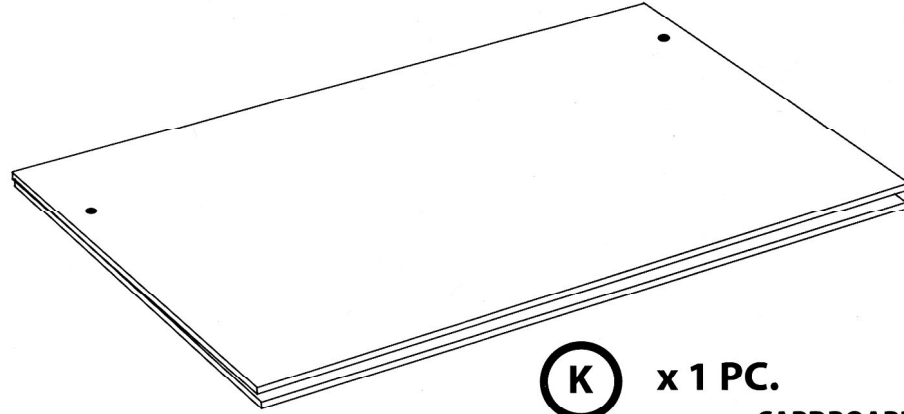


I x 1 PC.
LEVEL 1 WALL

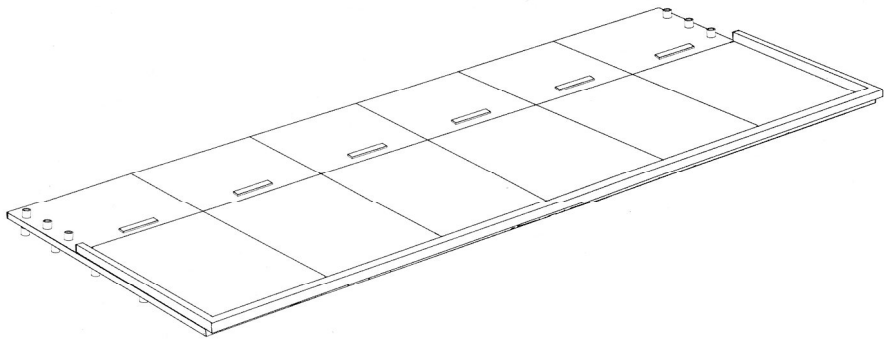
NECA DIORAMA PARTS LIST



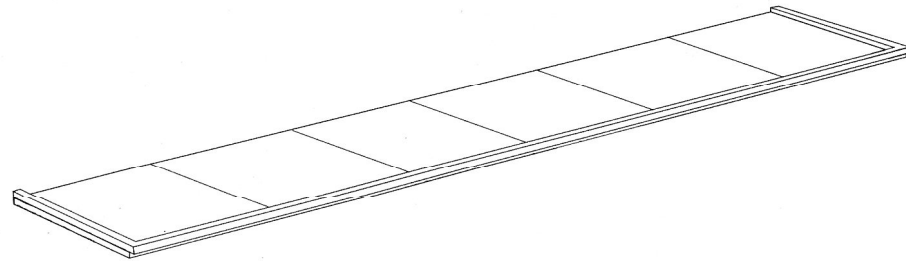
J x 1 PC.
LEVEL 2 WALL



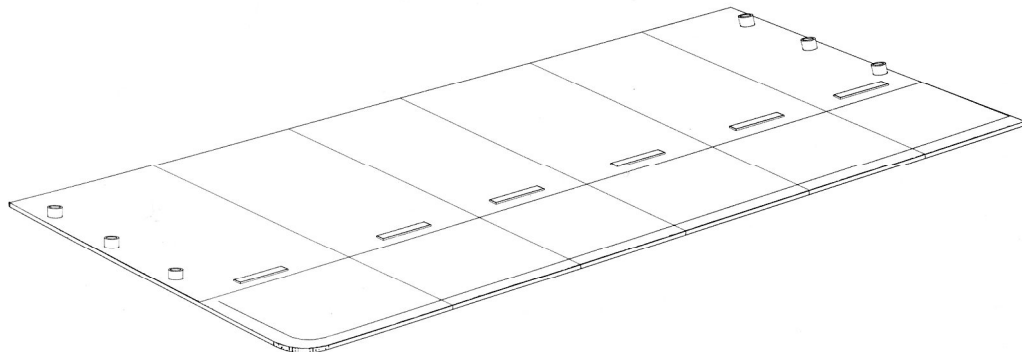
K x 1 PC.
CARDBOARD BACKDROP



L2 x 1 PC.
PRE-ASSEMBLED -1ST LEVEL ROOF

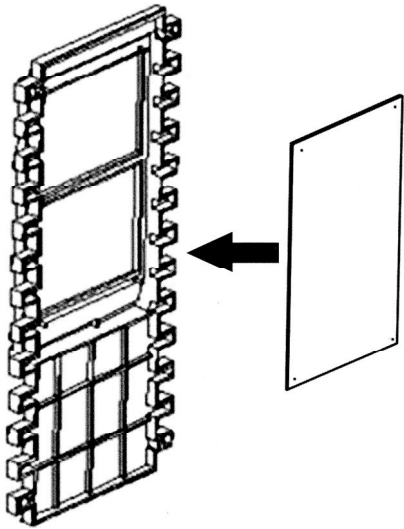


L3 x 1 PC.
PRE-ASSEMBLED -2ND LEVEL ROOF



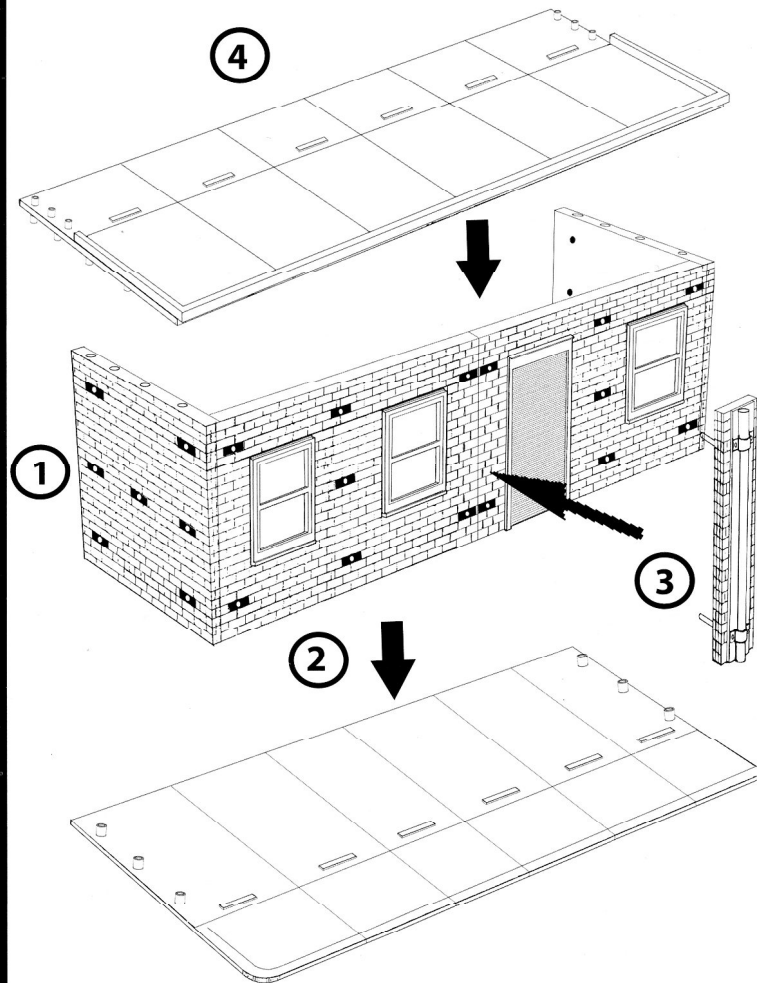
L1 x 1 PC.
PRE-ASSEMBLED-SIDEWALK BASE

WINDOW GLASS ATTACHMENT PRE-WALLS ASSEMBLY



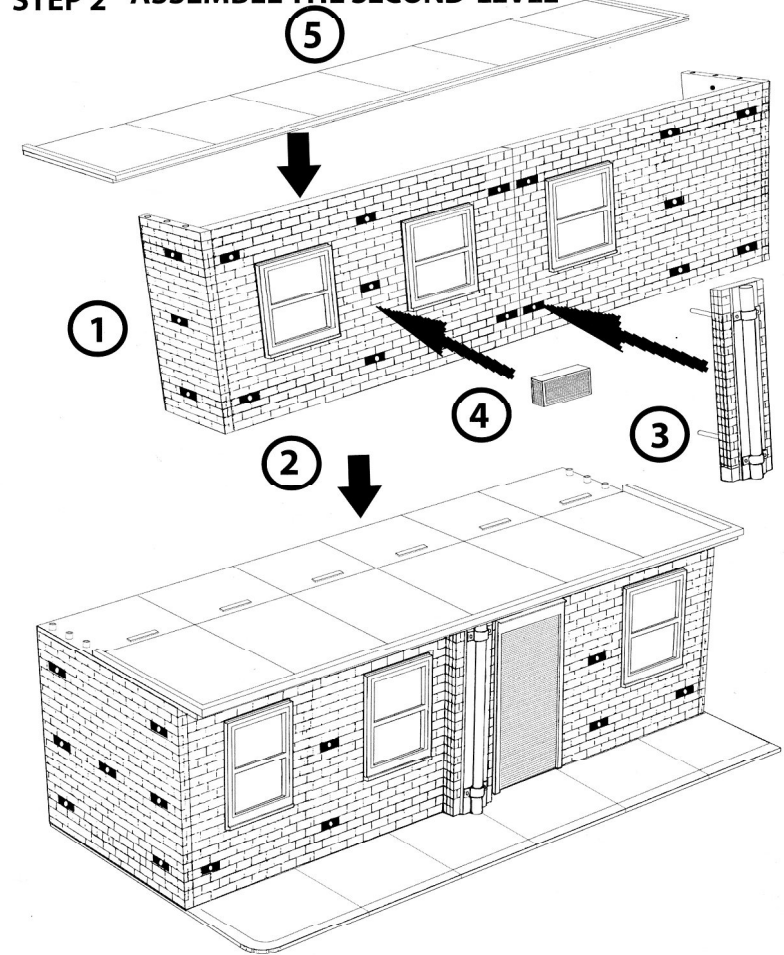
ATTACH WINDOW PANES TO BACK AREA OF WINDOW WALL KEY. THE WINDOW PANE HOLES PRESSURE FIT ON TO 4 PEGS. THE WINDOW WALL KEYS ARE PRESSURE FITTED INTO THE MAIN WALLS, AND ALSO HELD TOGETHER BY MAGNETS.

STEP 1 ASSEMBLE THE FIRST LEVEL



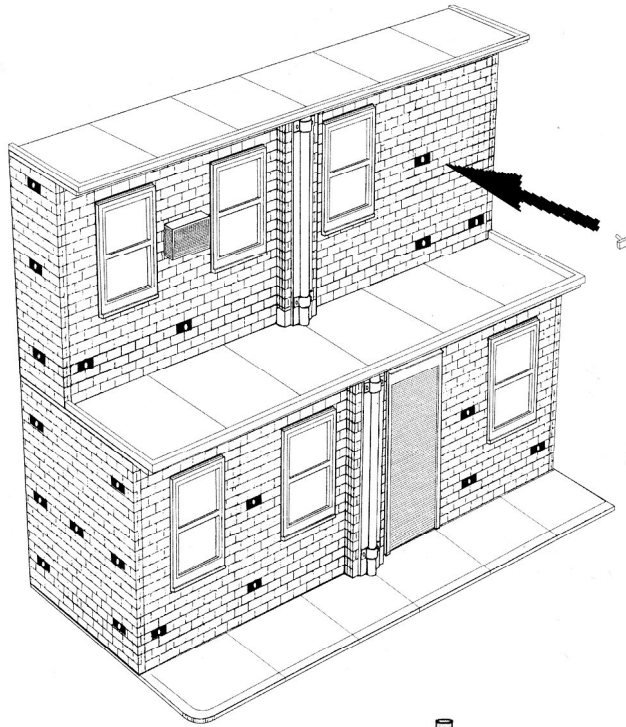
- 1) ASSEMBLE THE ENTIRE 1ST FLOOR WALLS.
- 2) AFTER ASSEMBLY, CONNECT THE 1ST FLOOR WALLS ONTO THE PRE-ASSEMBLED BASE.
- 3) INSTALL THE CENTER POST WITH THE DRAINAGE PIPE.
- 4) CONNECT THE PRE-ASSEMBLED 1ST FLOOR ROOF ONTO THE 1ST FLOOR WALLS BY ALIGNING THE PEGS IN THE FLOOR WITH THE HOLES IN THE WALLS.

STEP 2 ASSEMBLE THE SECOND LEVEL



- 1) ASSEMBLE THE ENTIRE 2ND FLOOR WALLS.
- 2) AFTER ASSEMBLY, CONNECT THE 2ND FLOOR WALLS ABOVE THE 1ST FLOOR ROOF BY ALIGNING THE PEGS IN THE FLOOR AND THE HOLES IN THE WALLS
- 3) INSTALL THE CENTER POST WITH THE DRAINAGE PIPE.
- 4) INSTALL THE AC UNIT INTO THE WALL.
- 5) CONNECT THE PRE-ASSEMBLED 2ND FLOOR ROOF ONTO THE 2ND FLOOR WALLS BY ALIGNING THE PEGS IN THE ROOF AND THE HOLES IN THE WALLS.

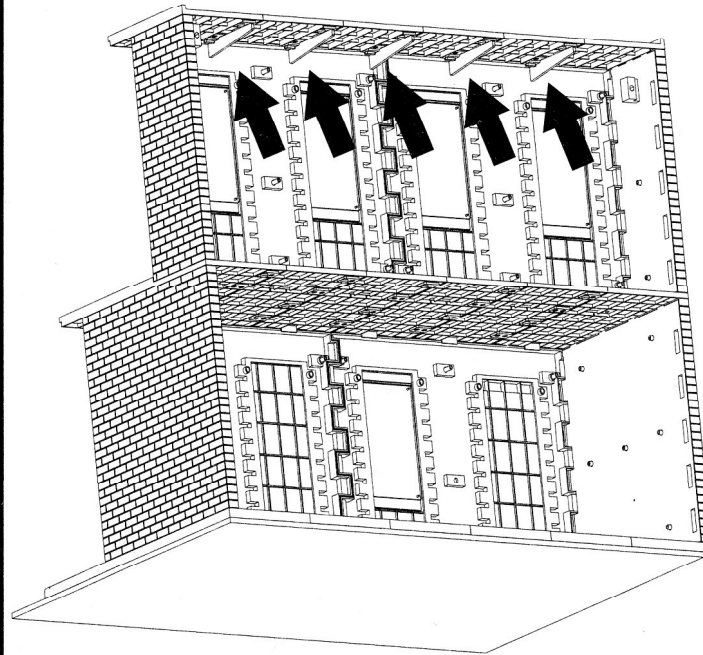
STEP 3 BRICK INSTALLATION



(D) x 40 PCS.

AFTER THE STRUCTURE ASSEMBLY IS COMPLETE, PLUG IN THE SINGLE BRICK KEYS BY PRESSURE FITTING THE BRICK PEG INTO EACH HOLE.

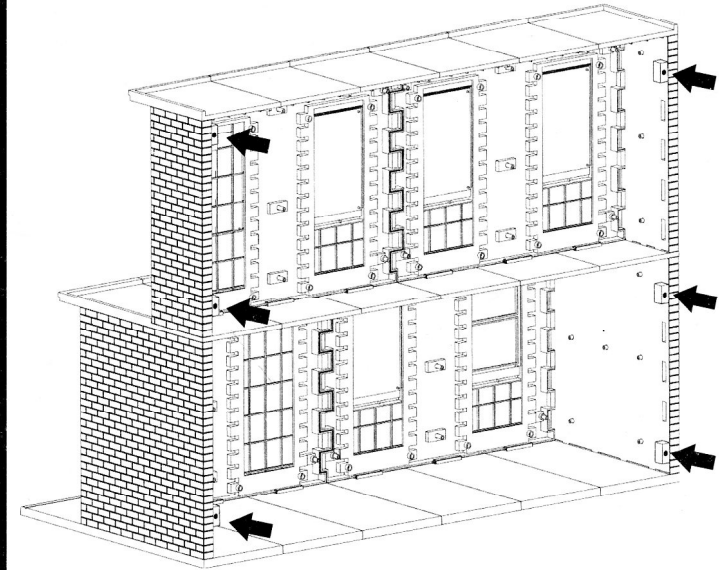
STEP 4 SUPPORT BEAM INSTALLATION



(A) x 5 PCS.

INSTALL THE ANGULAR SUPPORT BEAMS UNDER THE 2ND LEVEL ROOF. THE BEAM PEGS PLUG INTO THE HOLES AND SNAP INTO PLACE.

STEP 5 BACKDROP SUPPORT INSTALLATION

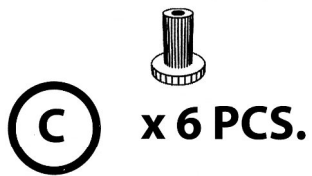
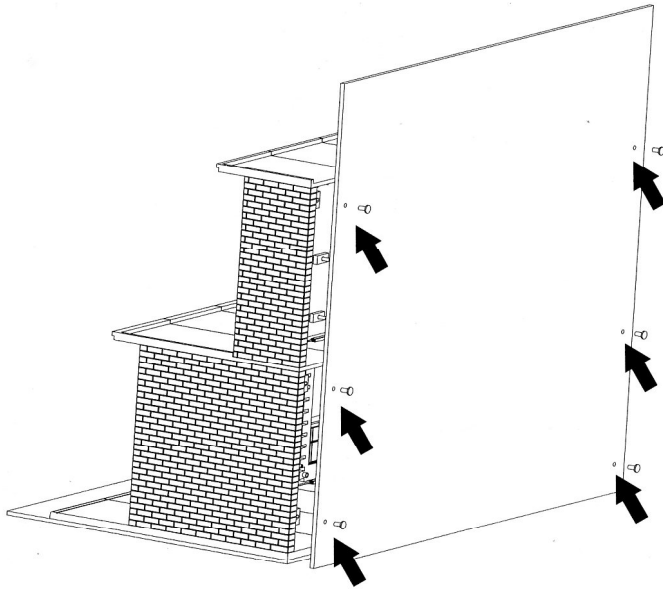


(B) x 6 PCS.

THE BACKDROP SUPPORT PIECES PLUG INTO THE AREAS SHOWN ABOVE. THE PIECES PRESSURE FIT INTO PLACE, AND WILL ALLOW THE BACKDROP TO BE ATTACHED IN THE NEXT STEP.

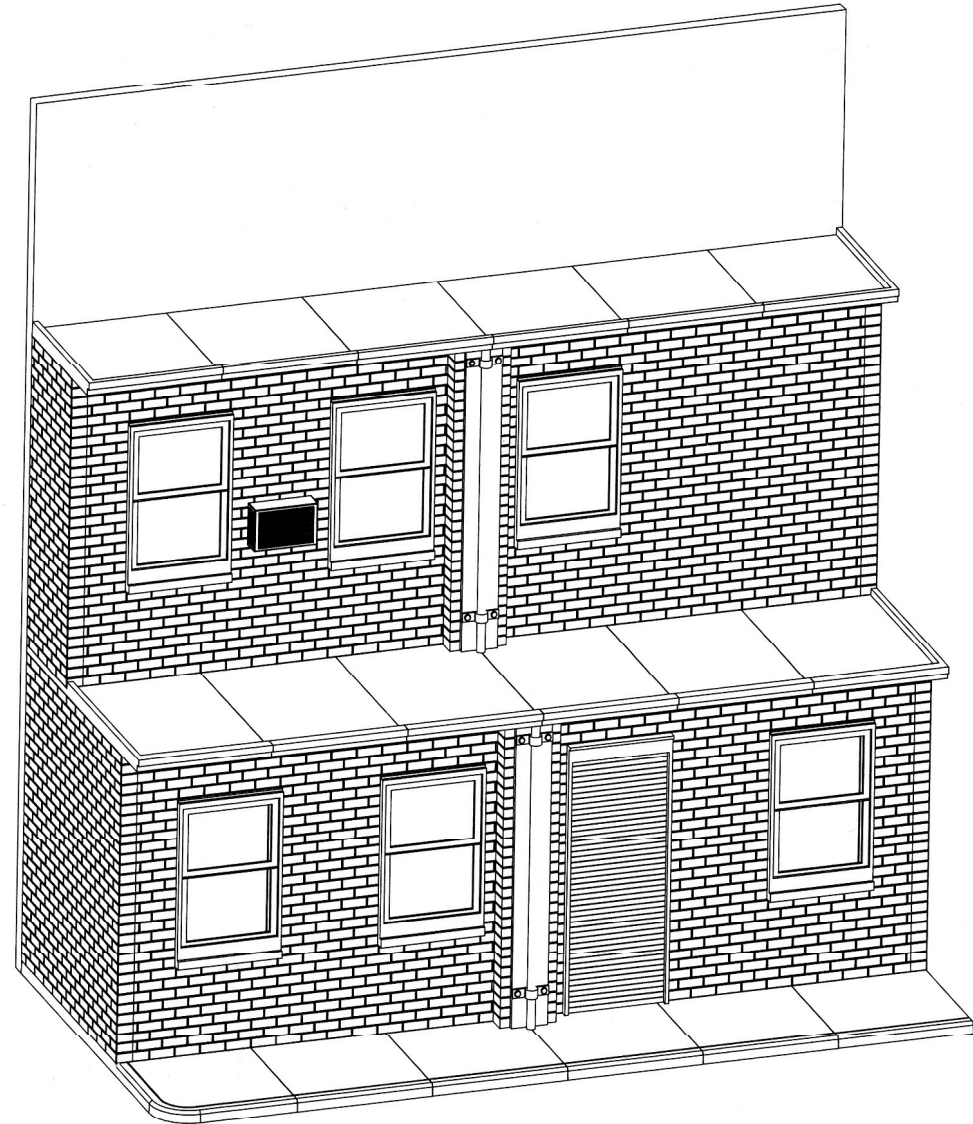
STEP 6

CARDBOARD BACKDROP INSTALLATION



AFTER ATTACHING THE BACKBOARD SUPPORTS. AFFIX THE CARDBOARD BACKDROP BY USING USING THE 6 PLUGS AND FOLLOW THE ARROWS AS INDICATED IN THE IMAGE ABOVE. THE HOLES OF THE CARDBOARD ALIGN WITH THE HOLES OF THE SUPPORTS. THE PLUGS PRESSURE FIT IN, HOLDING THE BACKDROP TO THE DIORAMA SECURELY.

STEP 7



FINISHED ASSEMBLY SHOWN