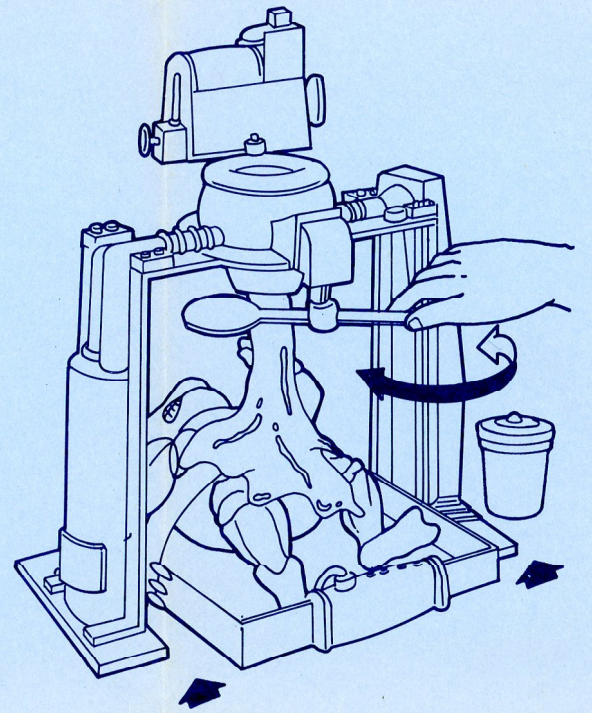
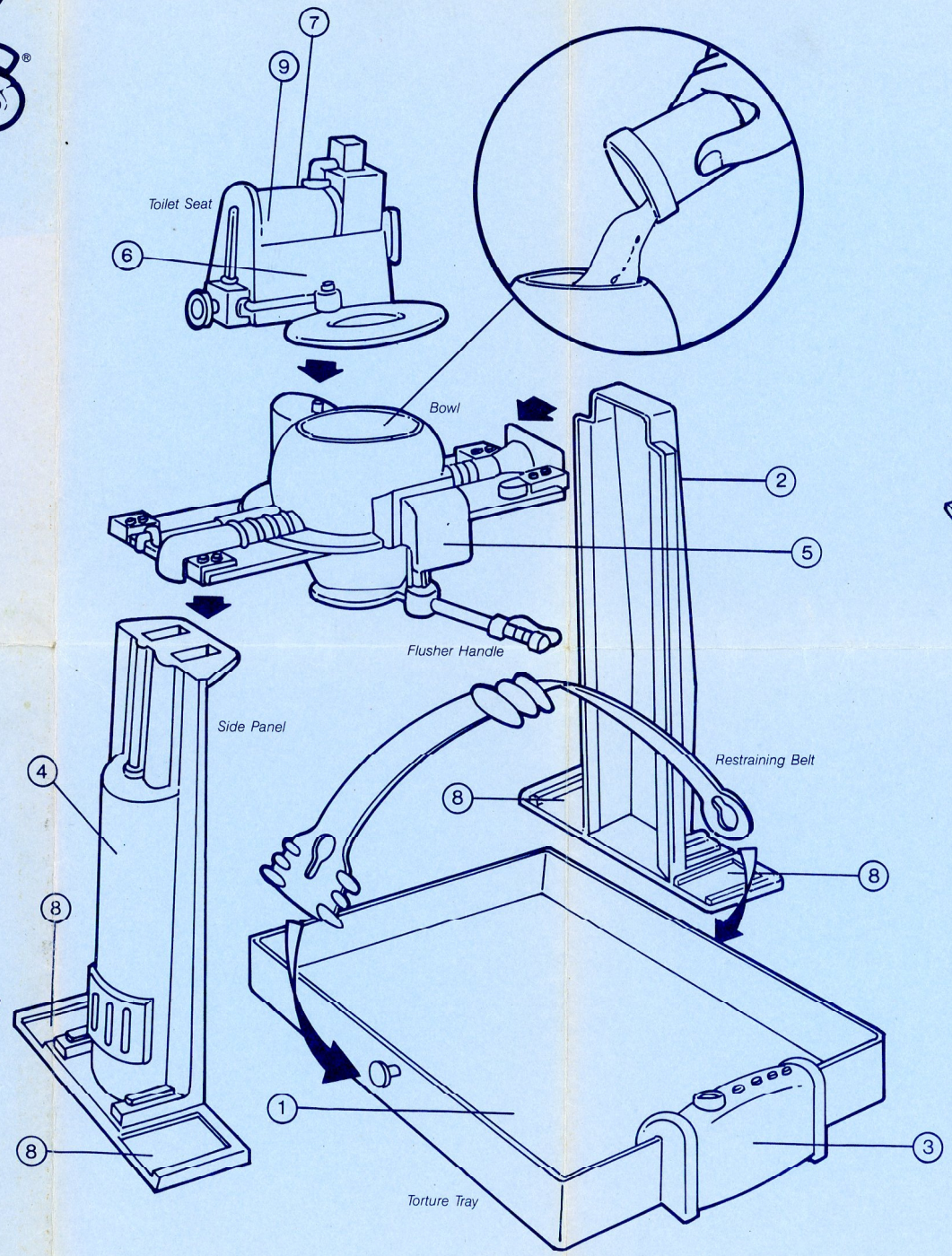


# TEENAGE MUTANT NINJA TURTLES®

Kids,  
follow these  
simple blueprints,  
it's easy!



- ASSEMBLY**
- SNAP SIDE PANELS TO TOP PIECE OF FLUSHOMATIC AS SHOWN.
  - PLUG TOILET SEAT TO TOP OF FLUSHOMATIC.
  - PLACE LABELS (#1-9) AS SHOWN.



**DIRECTIONS**

- FOR REAL OOZE FLUSHIN' ACTION: PLACE FIGURE IN TORTURE TRAY AND SECURE WITH RESTRAINING BELT SLIDE UNDERNEATH FLUSHOMATIC UNIT AS SHOWN.
- FILL TOILET BOWL WITH RETROMUTAGEN OOZE. MAKE SURE FLUSHER HANDLE IS IN CLOSED POSITION.
- TURN FLUSHER HANDLE TO RELEASE OOZE ON FIGURE.
- FOR ADDITIONAL RETROMUTAGEN OOZE, LOOK FOR TEENAGE MUTANT NINJA TURTLES RETROMUTAGEN OOZE, STOCK #5531.
- NOTE: REMOVE EXCESS OOZE FROM TOILET BOWL, TORTURE TRAY AND FIGURE AFTER EACH USE.
- CAUTION: RETROMUTAGEN OOZE MAY STICK TO SOME SURFACES, INCLUDING RUGS, HAIR, CERTAIN FABRICS AND MAY DAMAGE WOOD SURFACES. CLEAN WITH COLD WATER AND LAUNDRY DETERGENT. REPLACE LID WHEN NOT IN USE. RETROMUTAGEN OOZE IS NON-TOXIC.

**Playmates®** AGES 4 AND UP  
NO. 5661